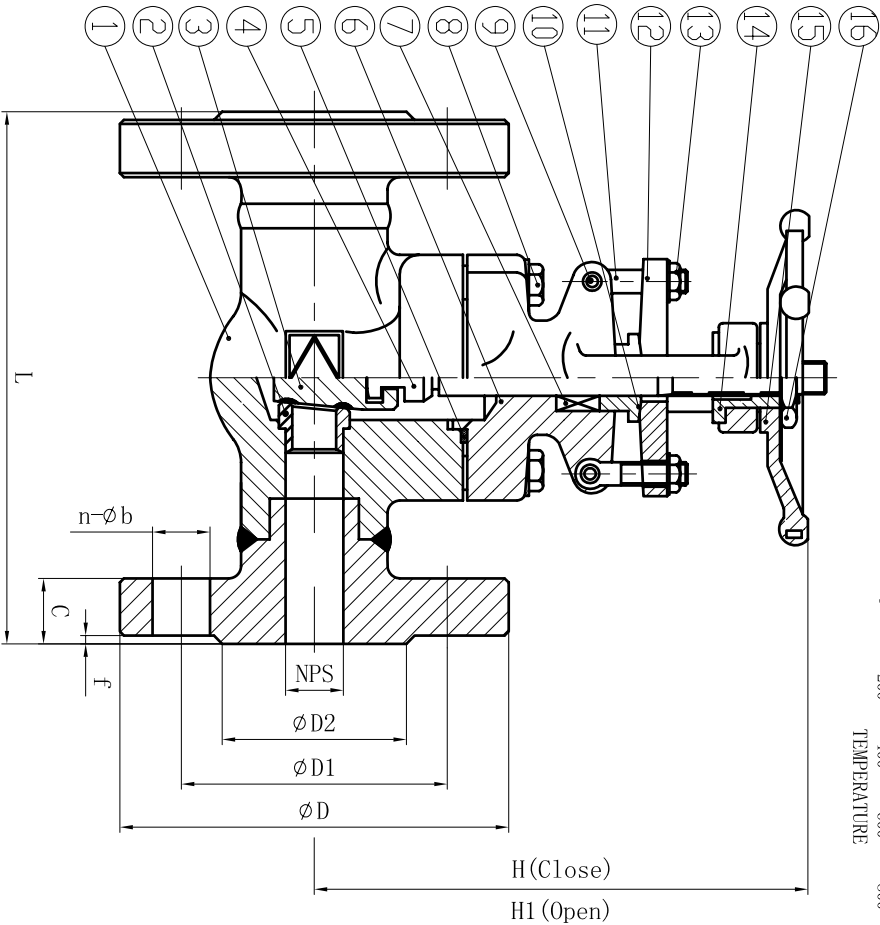


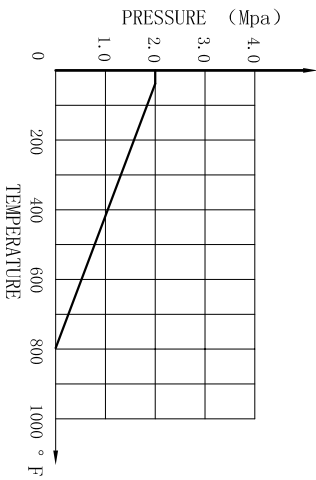
- NOTE:
1. Design and Manufacture for valve according to API 600.
  2. Face-to-face dimensions for valve according to ASME B16.10-2009.
  3. End flange dimensions for valve according to ASME B16.5-2009.
  4. Inspection and Test for valve according to API 598-2009.



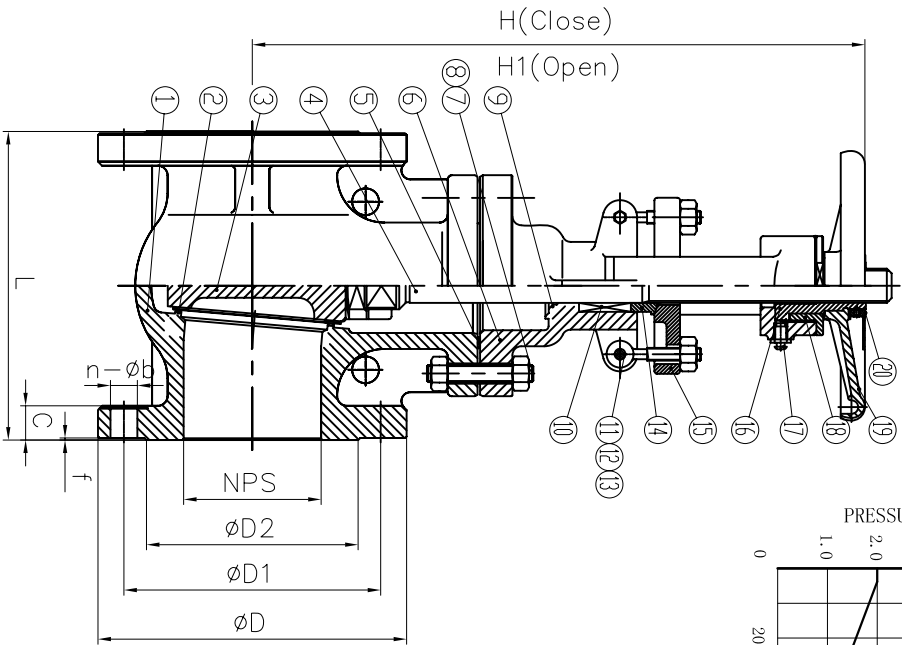
NPS	L	D	D1	D2	C	F	n-Øb	H	H1	Weight (lb)
½"	4.252	3.504	2.382	1.378	0.394	0.063	4-Ø0.591	5.433	5.945	-
¾"	4.606	3.858	2.756	1.693	0.433	0.063	4-Ø0.591	5.591	6.220	-
1"	5.000	4.252	3.130	2.008	0.472	0.063	4-Ø0.591	6.693	7.480	-
1 ¼"	5.512	4.606	3.504	2.520	0.512	0.063	4-Ø0.591	7.480	8.543	-

Nominal pressure	Shell test		Test medium	water	Test temperature	normal temperature
	3.0	MPa				
150LB	Test pressure	2.2	Mpa	air	Test temperature	normal temperature
	seal test	0.6				
Applicable medium	water, oil, gas					
Applicable temperature	-20--797°F					

16	PREVAILING	1	35		
15	HANDWHEEL	1	KTH330-08		
14	STEM NUT	1	35		
13	NUT	2	35		
12	GLAND FLANGE	1	20		
11	EYE BOLT	2	35		
10	GLAND	1	20		
9	PIN	2	35		
8	BOLT	-	35		
7	PACKING	-	Graphite		
6	BONNET	1	ASTM A105		
5	GASKET	1	SS316+Graphite		
4	STEM	1	2Cr-13		
3	DISC	1	2Cr-13+STL+ENP		
2	SEAT RING	2	2Cr-13		
1	BODY	1	ASTM A105		
NO.	DESCRIPTION	Q'TY	MATERIAL		
				ANIX VALVE USA	
				Flange Gate Valve	
				150LB, A105	
				GA40HE5F/150	
MARK	BEFORE MODIFIED	AFTER MODIFIED	DATE	SCALE	
DRA.		APP.			
CHK.		DATE			



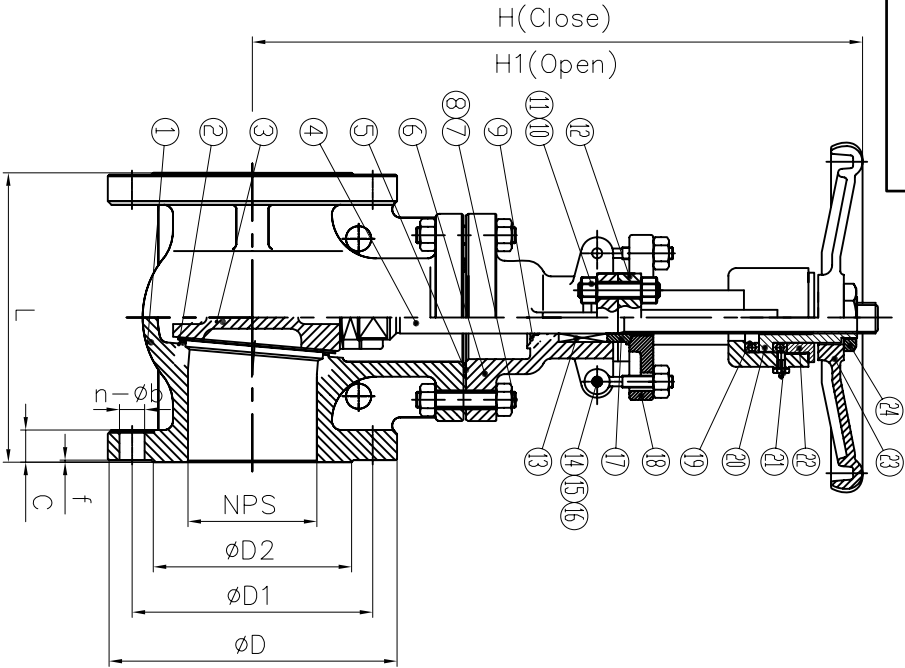
- NOTE:
1. Design and Manufacture for valve according to API 600.
  2. Face-to-face dimensions for valve according to ASME B16.10-2009.
  3. End flange dimensions for valve according to ASME B16.5-2009.
  4. Inspection and Test for valve according to API 598-2009.



NPS	L	D	D1	D2	C	F	n-φb	H	H1	Weight(Lb)
1 1/2"	6.496	5.000	3.882	2.874	0.689	0.063	4-φ0.630	13.386	15.354	19.842
2"	7.008	5.984	4.744	3.622	0.748	0.063	4-φ0.748	13.780	16.142	40.124
2 1/2"	7.480	7.008	5.492	4.114	0.886	0.063	4-φ0.748	14.370	17.323	51.809
3"	7.992	7.480	6.004	5.000	0.945	0.063	4-φ0.748	17.717	21.260	68.343
4"	9.016	9.016	7.500	6.181	0.945	0.063	8-φ0.748	19.488	23.819	109.129
5"	10.000	10.000	8.504	7.303	1.024	0.063	8-φ0.866	21.654	26.969	127.868
6"	10.512	10.984	9.508	8.504	1.024	0.063	8-φ0.866	24.016	30.315	167.992
8"	11.496	13.504	11.752	10.630	1.142	0.063	8-φ0.866	30.709	39.173	275.578

Nominal pressure	Shell test		Test pressure		water test medium	water test temperature	normal temperature
	3.0	MPa	seal test	2.2			
150LB	0.6	MPa	gas seal test	0.6	air		
Applicable temperature	water, oil, gas -20~797°F						

NO.	DESCRIPTION	QTY	MATERIAL
20	H. W. LOCK NUT	1	CS
19	HANDWHEEL	1	A47
18	RETAINING NUT	1	CS
17	LUBRICATOR	1	Cu
16	STEM NUT	1	ZcuAl10Fe3 Bronze
15	GLAND	1	A216 WCB
14	BUSHING	1	A182 F6a
13	GLAND NUT	2	A194 2H
12	GLAND BOLT	2	A193 B7
11	PIN	2	SS304
10	PACKING	1	Graphite
9	BACKSEAT	1	A216+13Cr
8	NUT	-	A194 2H
7	STUD	-	A193 B7
6	BONNET	1	A216 WCB
5	GASKET	1	SS304+Graphite
4	STEM	1	A182 F6a
3	WEDGE	1	A216+13Cr+ENP
2	SEAT RING	2	A216+STL
1	BODY	1	A216 WCB
NO.	DESCRIPTION	QTY	MATERIAL
MARK BEFORE MODIFIED			
MARK AFTER MODIFIED			
DRAWN		APP.	DATE
CHK.		DATE	
<div style="text-align: center; font-size: 2em; font-weight: bold;">ANIX<sup>®</sup></div>		SCALE	
		ANIX VALVE USA Flange Gate Valve 150LB, WCB GA40HE5F/150	



- NOTE:
1. Design and Manufacture for valve according to API 600.
  2. Face-to-face dimensions for valve according to ASME B16.10-2009.
  3. End flange dimensions for valve according to ASME B16.5-2009.
  4. Inspection and Test for valve according to API 598-2009.

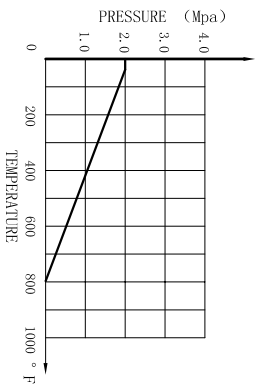
NPS	L	D	D1	D2	C	f	$n-\phi b$	H	H1	Weight (lb)
10"	12.992	15.984	14.252	12.756	1.220	0.063	12- $\phi 0.984$	36.024	46.457	392.423
12"	14.016	19.016	17.008	15.000	1.260	0.063	12- $\phi 0.984$	41.142	53.543	632.727
14"	15.000	20.984	18.740	16.260	1.378	0.063	12- $\phi 1.142$	49.213	63.583	-
16"	15.984	23.425	21.260	18.504	1.457	0.063	12- $\phi 1.142$	-	-	-

Nominal pressure		150LB	
Shell test	3.0	test medium	water
Test pressure seal test	2.2	test medium	air
Test pressure gas seal	0.6	test medium	air

Applicable medium	water, oil, gas
Applicable temperature	-20 ~ 797°F



NO.	DESCRIPTION	Q'TY	MATERIAL
24	H. W. LOCK NUT	1	CS
23	HANDWHEEL	1	A47
22	RETAINING NUT	1	CS
21	LUBRICATOR	1	Cu
20	STEM NUT	1	ZcuA110Fe3 Bronze
19	BEARING	2	CS
18	GLAND	1	A216 WCB
17	BUSHING	1	A182 F6a
16	GLAND NUT	2	A194 2H
15	GLAND BOLT	2	A193 B7
14	PIN	2	SS304
13	PACKING	1	Graphite
12	YOKE	1	A216 WCB
11	NUT	-	A194 2H
10	STUD	-	A193 B7
9	BACKSEAT	1	A216+13Cr
8	NUT	-	A194 2H
7	STUD	-	A193 B7
6	BONNET	1	A216 WCB
5	GASKET	1	SS304+Graphite
4	STEM	1	A182 F6a
3	WEDGE	1	A216+13Cr+ENP
2	SEAT RING	2	A216+STL
1	BODY	1	A216 WCB

MARK	BEFORE MODIFIED	AFTER MODIFIED	DATE
DRA.	APP.	DATE	SCALE
CHK.	DATE		

<b>ANIX®</b>		ANIX VALVE USA
Flange Gate Valve		150LB, WCB
GA40HE5F/150		